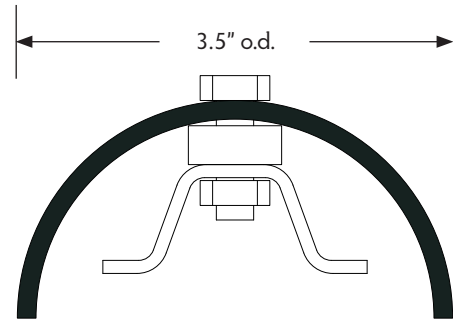
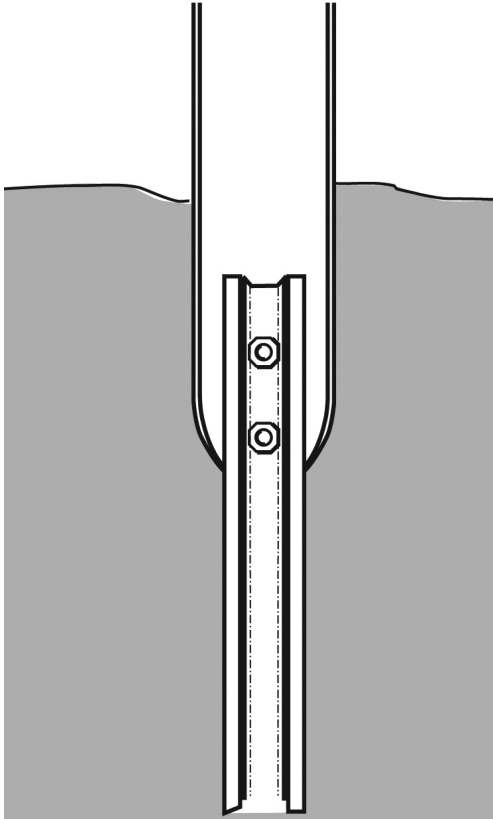


Versatile, durable and visible

One of Carsonite's most durable posts. This polymer post with integral metal U-channel is easily driven into all types of soils. For use in areas where impacts are likely, this post has been impact tested at speeds of 65 mph.



How to Order:

CDS3

Product number

066

Length (in.)

See chart for availability by color.

01

Color (See chart below)

Color	Standard Lengths (in.)
01-White	66
02-Yellow	66
09-Gray	66

Other lengths and colors are available. Contact your representative.

Material: Polypropylene

Options and Accessories: Reflective sheeting

Stock or custom decals

Installation tools:

U-channel Driver (D300)

