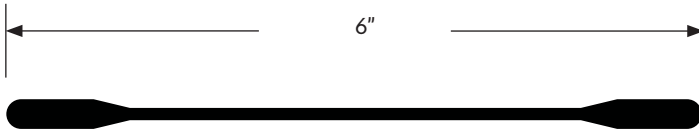


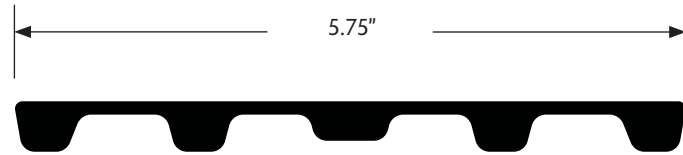
MGS

Modular Guidance System™

Blades:



NMGS Base Rail:

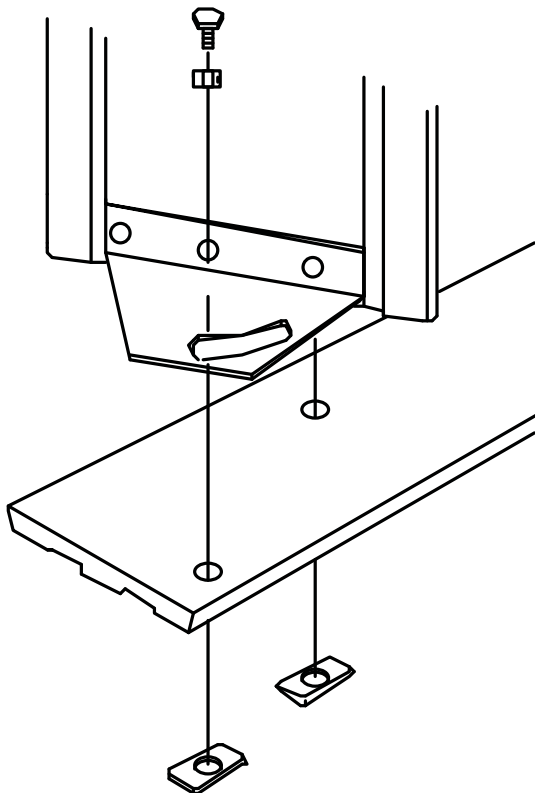


WMGS Base Rail:



Material: Fiberglass Composite

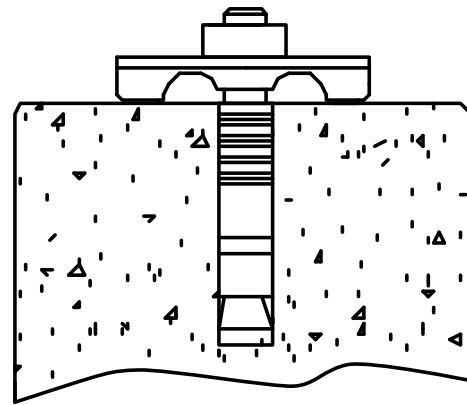
Options and Accessories: Reflective Sheeting



Blades can be attached to base rail before going on site.

For excellence in work safety

Carsonite's Modular Guidance System is designed to block blinding headlight glare from opposing traffic lanes. This anti-glare screen comes with a base rail system that allows quick and simple installation, limiting the amount of time workers spend installing the system. The base rail units come pre-sized for 10, 12, 12.5 and 15' barriers. The blades, available in various heights, are adjustable up to 22 degrees to optimize cut-off angle. In addition, Carsonite's MGS prevents motorists from impeding traffic flow by gawking into construction zones. The system efficiently and safely guides motorists through the zone.



Base rail attachment hardware included.

